

EN



# INSTALLATION GUIDELINES

INSTALLATION/SERVICING/MAINTENANCE/SAFETY ADVICE



DEL 

**IN-GROUND POOL COVER**  
**SUPERGREEN NON-SAFETY**

---



# CONTENTS

## **PLEASE READ THESE INSTRUCTIONS CAREFULLY AND KEEP THEM FOR FUTURE REFERENCE**

Please read this manual carefully to help you understand all of the information and to ensure safe installation, use and servicing. We are not held liable for any damage arising due to a failure to respect the instructions set out in this manual. Installation of the counterweights.

DESCRIPTION.....	p. 4-5
Components supplied.....	p. 4
Tools required for assembly.....	p. 5
Packaging.....	p. 5
Assembly .....	p. 5
INFORMATION.....	p. 6
Prerequisites .....	p. 6
INSTALLATION.....	p. 7-13
Fitting the cover.....	p. 7
Marking out the corners and anchor line for the anchor bolts.....	p. 8
Bolts / Anchrage.....	p. 9
Closing the pool.....	p. 12
Opening the pool.....	p. 12
UPKEEP/MAINTENANCE.....	p. 13-17
Water level of the pool.....	p. 13
Filtering and treating the water.....	p. 13
Upkeep (the customer's responsibility) .....	p. 14
Maintenance .....	p. 15
Wintering.....	p. 16
Spare parts .....	p. 16
SAFETY TIPS .....	p. 17-18
RECYCLING .....	p. 19
REGULATIONS.....	p. 20
WARRANTY CONDITIONS.....	p. 20

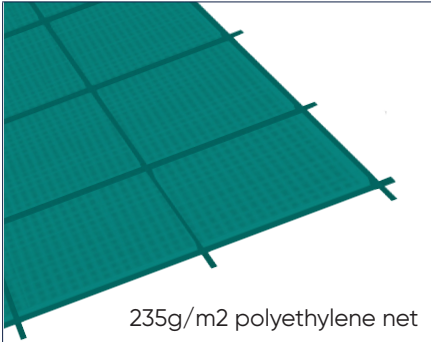
# DESCRIPTION

## COMPONENTS PROVIDED

### ▶ PLATE



### ▶ STANDARD VERSION



235g/m2 polyethylene net

The canvas complies with standard NF P 90-308: tear and abrasion resistance

	<p>P Bolt (concrete decking)</p>
	<p>Spring tension</p>

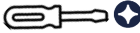




### ▶ OPTIONS

	<p>Bolt (lawn)</p>
	<p>Brass telescopic anchor (concrete decking)</p>
	<p>Telescopic stainless steel wood anchor / aluminium sleeve</p>
	<p>Aluminium telescopic anchor for concrete decking</p>

# DESCRIPTION

## TOOLS REQUIRED FOR ASSEMBLY



	Phillips screwdriver PZ2
	Screwdriver
	PZ2
	Punch
	Ø6 / Ø12 / Ø20 Concrete

	Tape Measure
	Pencil
	Mallet
	Cutter
	Weight

## PACKING LIST



1 PACKAGE  
PACKAGE: 0.80 x 0.60 x 0.40 m  
Weight in kg: variable

## ASSEMBLY





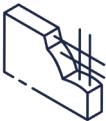



2 persons



2 hours

# INFORMATION


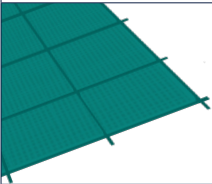
## PREREQUISITES

	<p>The water level must be maintained once the cover is installed.</p> 
	<p>Fitting the bolts and holding them in place is a major factor in the safety of the cover.</p> <p>The concrete decking must be at least 10 cm thick.</p>
	<p>The decking must be flat and level throughout.</p> <p>The cover must rest on the coping stones with clearance of at least 35 cm all round the pool.</p> <p>The decking must extend a minimum of 95 cm around the entire perimeter of the pool; otherwise allow 10 cm after the fixing points.</p>
	<p>Always wear safety equipment.</p>
	<p>Support cables are mandatory for widths starting from 6,00 m. The maximum spacing between two cables is 4,00 m.</p>

**!** WE RECOMMEND READING ALL THE INSTALLATION STEPS BEFORE INSTALLING THE SYSTEM, TO AVOID UNNECESSARY HANDLING.

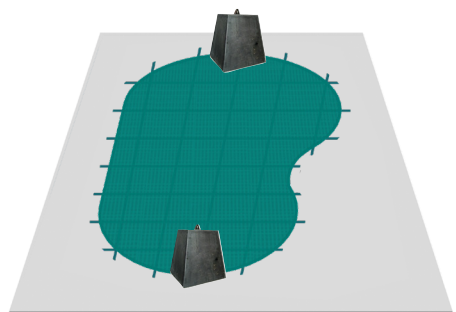
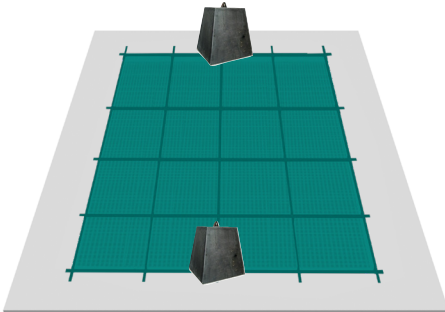
# INSTALLATION

## FITTING THE COVER

	
	235g/m2 polyethylene net

	
	Weight

The cover should have a uniform overhang of around 35 cm (standard) around the entire perimeter of the pool.

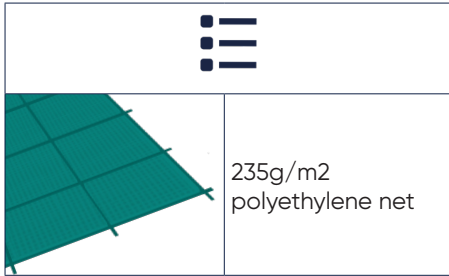






### Recommendations:

Use weights to prevent the cover from slipping into the pool.

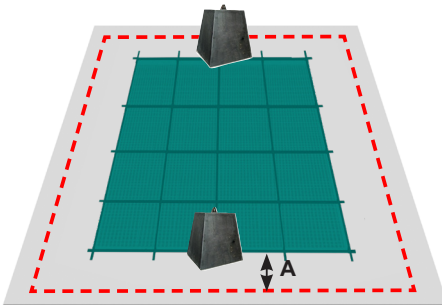
# INSTALLATION

## MARKING OUT THE CORNERS AND ANCHOR LINE FOR THE ANCHOR BOLTS

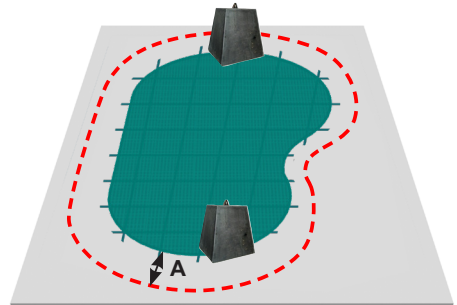


	
	
	
	Weight

### ▶ RECTANGULAR SHAPE



### ▶ FREE FORM



**A = 35 cm**







Recommendations:  
Use chalk or a chalk line



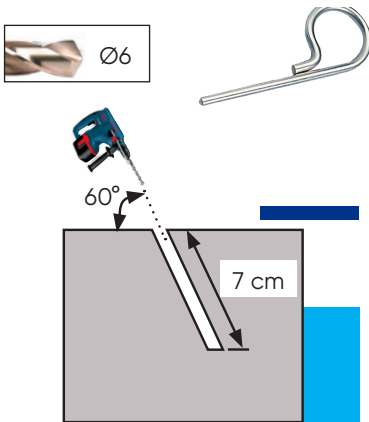
# INSTALLATION

## BOLTS / ANCHORING

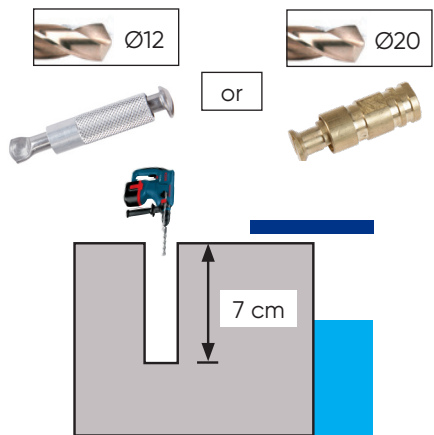
	
	P Bolt (concrete)
	Aluminium telescopic anchor for concrete decking
	Brass telescopic anchor

	
	Punch
	Ø6 / Ø12 / Ø20 Concrete
	Mallet
	Weight

### ▶ ATTACHMENT METHOD FOR CONCRETE BOLT






### ▶ ATTACHMENT METHOD FOR CONCRETE ANCHOR



 Clean the holes with a Hoover.

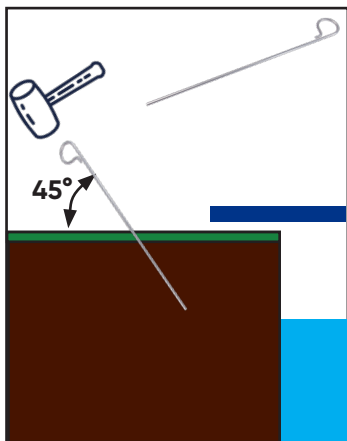
# INSTALLATION

## BOLTS / ANCHORING

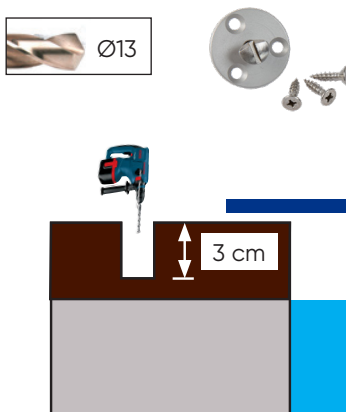
	
	Bolt (lawn)
	Telescopic aluminium anchor for wood decking / aluminium sleeve

	
	Punch
	Ø13 Wood
	Mallet
	Weight

### ▶ ATTACHMENT METHOD FOR LAWN BOLTS



### ▶ ATTACHMENT METHOD FOR WOOD ANCHORS



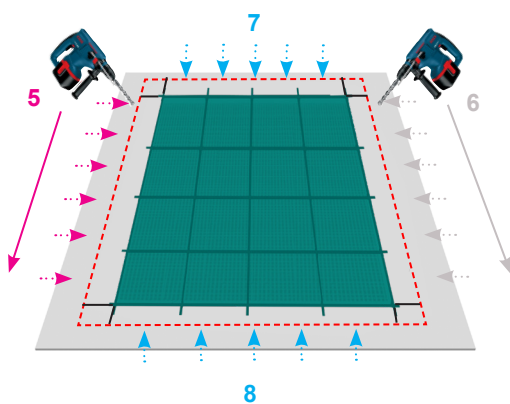
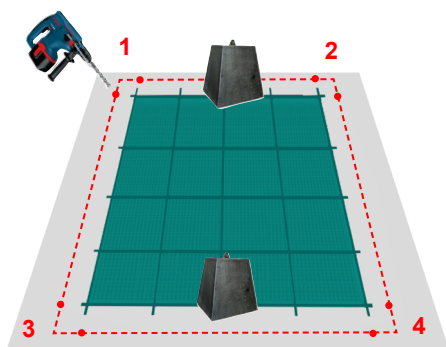
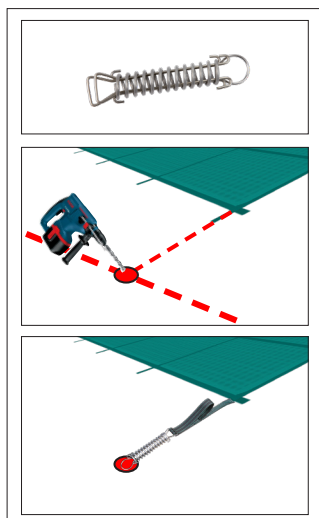
Secure the anchor using the 3 screws supplied.

 **Clean the holes with a Hoover.**

# INSTALLATION

## DISTRIBUTION OF BOLTS FOR RECTANGULAR POOLS

Drill then fit, following the sequence shown in the diagrams.

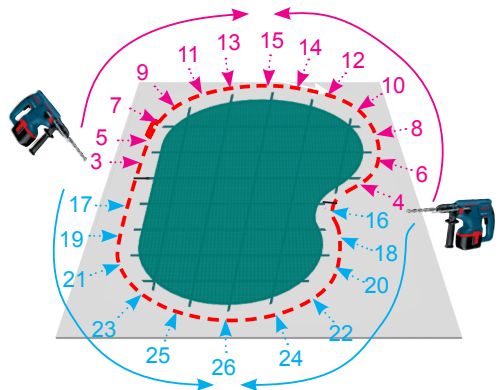
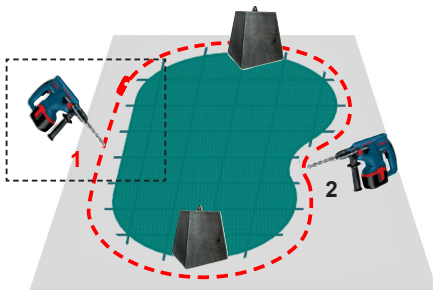
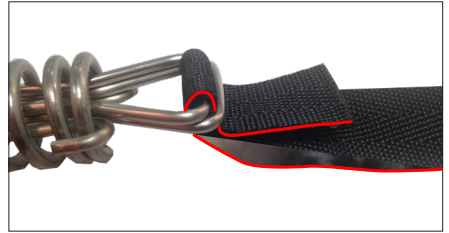
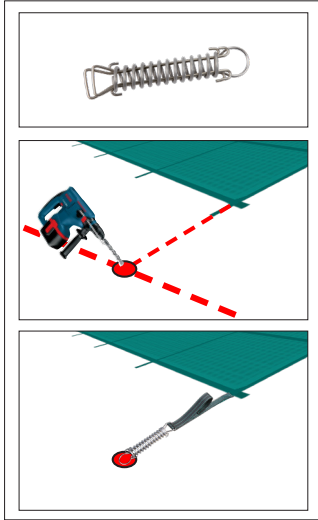


**!** Check regularly that the cover is taut.

# INSTALLATION

## DISTRIBUTION OF BOLTS FOR FREE-FORM POOLS

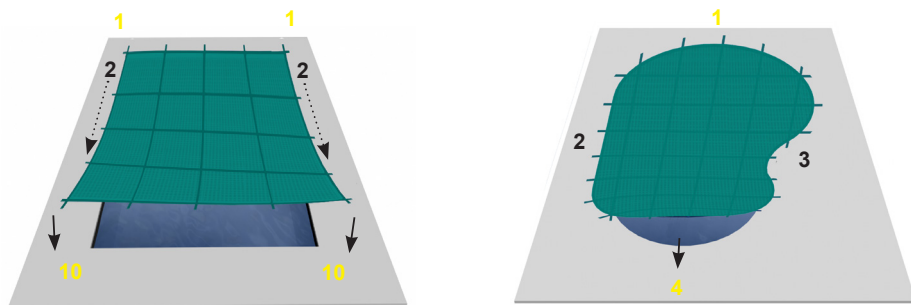
Drill then fit, following the sequence shown in the diagrams.



**!** Check regularly that the cover is taut.

# INSTALLATION

## CLOSING THE POOL



Follow the chronological order for attaching the cover.



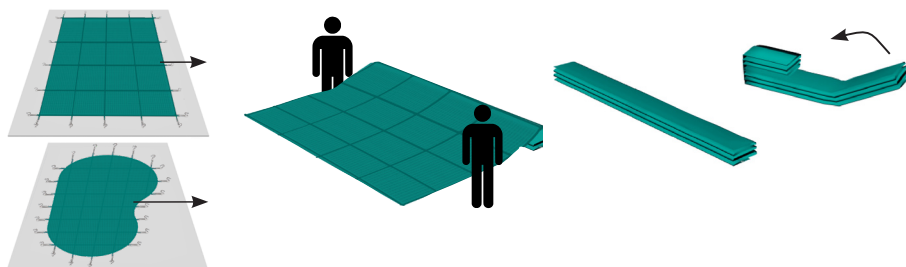
Attach all the anchors

## OPENING THE POOL

 **2 persons**

 **20 min**

- Unhook all the anchors.
- Slide the cover over the decking.
- Clean and dry the anchors.
- Clean and dry the cover before folding it and storing it in a dry place.
- Store it all in the storage bag (OPTION) and keep in a dry, well-ventilated place away from light.



## SERVICING/MAINTENANCE



**During any intervention, the technician must wear PPE (personal protective equipment): gloves, goggles, mat, etc...**

### WATER LEVEL IN THE POOL

- In order to ensure maximum safety and correct operation of the rewinder, always check that the water level in the pool remains constant and complies with the manufacturer's requirements (for greater comfort, use an overflow and a water level regulator).
- A water level that is too high is due to the overflow being obstructed by leaves or other items.
- Recommended water level: between 7 cm and 15 cm below the top of the coping.

### WATER FILTRATION AND TREATMENT

- Programme filtration to take place at a time when the sun is shining on the pool and ensure that it is set to work all the time when the water reaches 25°C.
- In order to ensure that your installation will last, the water in the pool must be correctly treated in compliance with the applicable standards and recommendations (NF EN 16713-3).
- The pH, hardness and alkali levels of the water must be checked and adjusted as often as is necessary (although you will need to ensure that you don't correct these three parameters independently of each other but do so using the Taylor table and provide the water with balance with regard to the three parameters analysed).

# SERVICING/MAINTENANCE

## SERVICING (customer's responsibility)

- Carry out a deep clean of the cover twice per year (the first time in the year it is used and prior to Wintering). This is even more important if the water in the pool is limestone. In this case, use a descaling cleaning product (see catalogue) and rinse using a hose.
- Do not allow leaves to accumulate and decompose on the cover.
- Clean the cover regularly by removing it from the pool and placing it flat on a suitable surface (watch out for plants and sharp objects that could damage the cover). Rinse both sides of the cover under running water and, if necessary, clean the dirtiest areas with a non-abrasive sponge (soak the sponge in pool water line cleaner if necessary).
- Do not use abrasive products or solvents to clean the cover.
- It is best to inspect the entire system if the cover is forced to bear unexpected weight at any time (fall).
- Carry out an annual check of the straps.
- Metal components must be cleaned and lubricated regularly to ensure that their operation is not impaired, which could present a risk (foot injuries in the event of an impact or fall). In the event of damage, replace defective parts with original ones.

# SERVICING/MAINTENANCE

## MAINTENANCE (ONCE PER YEAR AT LEAST)

- This product does not have any wear parts requiring replacement. However, if you notice that certain parts are deteriorating, please ensure that they are replaced.
- All spare parts must come from the manufacturer or comply with standard NF P90-308.
- Check that the installation is working correctly.
- Inspect the cover thoroughly.
- At the start of each season and in the event of an accident (a falling object, hail on the cover, abnormal stress on the cover, etc.), check that the cover has not suffered any visible damage likely to compromise its safety (cracks, holes, deformations, etc.). If necessary, replace parts or the entire roof.
- Check the state of the straps (seams) and in particular the wear on the anti-abrasion sleeve. If the latter is no longer fulfilling its role of protecting the strap against abrasions from the pool rim, then replace it.
- Customer service: contact details on back page of document.

## ▶ EACH TIME IT IS USED

- Carry out a visual check of the fastening and drive components.  
every 3 months

## ▶ EVERY 3 MONTHS

- Carry out a complete cleaning.

## ▶ EVERY 4 MONTHS AND AFTER ANY EXCEPTIONAL EVENT (FALL, HEAVY RAIN, STORM, SNOW, PARTICULAR IMPACT, ETC.)

- Carry out a thorough check of all the components of the cover (condition and assembly of fabric, seams, straps, ratchets, hooks, anti-abrasion pads, etc.).



## SERVICING/MAINTENANCE

### WINTERING

- Position the cover in the closed position and keep the water level constant in accordance with the manufacturer's recommendations.



- During the winter season, in the event of snowfall, it is essential to remove the snow from the cover using a brush with a telescopic handle to avoid deforming the crossbars.
- Attention: The weight of snow on the cover can cause serious and irreversible damage to your installation. Installing a support cable is strongly recommended in case of snow. Without a support cable, any damage caused by snow weight will not be covered under warranty.

### SPARE PARTS

Online catalogue:



<https://www.my-cfgroup.fr/fr/pieces-detachees>

## SAFETY ADVICE

Please read the recommendations set out below with care.

### WARNING

**Swimming pools can represent a serious danger for your children. Drowning can happen very quickly.**

**Children who are close to a swimming pool need to be watched constantly and actively, even if they know how to swim.**

**Learn lifesaving skills.**

**The physical presence of an adult is absolutely essential whenever the pool is open.**



Memorise the telephone numbers for the emergency services and ensure that they are displayed close to the pool.

**18** (in France) or **112**

**FIRE SERVICE**

**15**

**AMBULANCE  
SERVICE**

(write the number that applies in your region)



**POISON CONTROL**

**CENTRE**

## SAFETY ADVICE

- This section is by no means a replacement for common sense or individual responsibility. Its aim is not to replace the vigilance of parents and/or responsible adults, who remain the essential factor in ensuring the protection of young children.
- **Warning:** safety is only guaranteed when the cover is closed, locked and correctly installed in compliance with the manufacturer's instructions.
- The cover must systematically be closed if you are absent from home, even for a very short period.
- Check that no persons and no foreign objects are in the pool before and during opening and closing operations.
- Store the devices and/or tools needed to operate the covers out of the reach of children.
- Operation of the mechanism must only be carried out by a responsible adult.
- With the exception of movable floors, movable terraces and the covering elements provided for this purpose (e.g. gratings), do not climb, walk or jump on a safety cover.
- Take all necessary measures to prevent access to the pool for young children until the cover is repaired or when a malfunction is observed that prevents closing or in case of temporary unavailability of the equipment or the pool.
- Respect the water levels designated by the manufacturer.
- Children must not play with the appliance.
- This appliance may be used by children aged 8 and over, and by persons with reduced physical, sensory or mental capabilities or lack of experience and knowledge if they have received supervision or instructions concerning the safe use of the appliance and understand the hazards involved.

A child can drown in less than 3 minutes, no type of protection can ever replace the watchful eye and vigilance of a responsible adult.

# RECYCLING

## PACKAGING



Dispose of the packaging in line with current rules and regulations.

## END OF LIFECYCLE



- Do not put your scrapped equipment or used batteries in with unsorted household waste.
- You are responsible for disposing of all of your waste, in particular electrical and electronic equipment by taking it to a collection point where recycling and valorisation are carried out.
- Certain products potentially contain substances that are dangerous for the environment, and you need to ensure that these are eliminated or neutralised.
- Make sure that you are aware of all existing recovery and collection systems.



discard the manual in line with the current regulations.

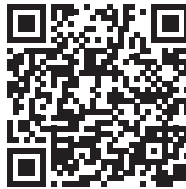
# REGULATIONS

## STANDARD

- This cover does not comply with standard NFP 90-308.

## WARRANTY CONDITIONS

Log on to [www.del-piscine.fr](http://www.del-piscine.fr) to view all our warranties.



<https://www.del-piscine.fr/rechercher-une-garantie>





**DEL SAS**  
ZA LA BASSE CROIX ROUGE  
35530 BRÉCÉ - FRANCE

☎ +33 (0)2 99 00 17 72

STAMP

A brand by CF group

